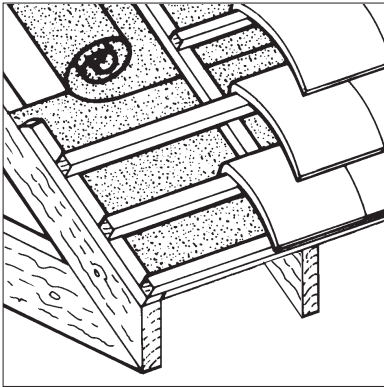


**WEB ROOF TILE UNDERLAYS
(BBA CERTIFICATE No 03/4053)
IRISH BUILDING REGULATIONS STATEMENT**



- THIS STATEMENT RELATES TO WEB ROOF TILE UNDERLAYS AND SETS OUT THE OPINION OF THE BBA ON THE POSITION OF THE PRODUCT UNDER THE BUILDING REGULATIONS IN THE REPUBLIC OF IRELAND.
- It must be read in conjunction with the Front Sheets and relevant Detail Sheets of BBA Certificate No 03/4053.
- It will remain valid provided BBA Certificate No 03/4053 is valid.

The Building Regulations 1997/2000 Ireland

In the opinion of the BBA, Web Roof Tile Underlays, if used in accordance with the provisions of Certificate No 03/4053, will satisfy or contribute to satisfying the relevant requirements.

Requirement:	C4	Resistance to weather and ground moisture
Comment:		Tests for weather resistance indicate that the product will contribute towards a tiled or slated roof meeting this Requirement. See sections 4.1 and 4.2 of the relevant Detail Sheet to BBA Certificate No 03/4053.
Requirement:	D1	Materials and workmanship
Comment:		The products are proper materials. See section 7 of the Front Sheets of BBA Certificate No 03/4053.

On behalf of the British Board of Agrément



Date of issue: 28th May 2004

Chief Executive